

PMG™ G2 280-21



4060
280 BAR
PSI

21
L/PM

**V-TWIN PETROL
GX690 & EFI IGX700**
ENGINE TYPE
POWERED by
HONDA

GEARBOX
1450RPM
DRIVE

COLD WATER
OUTPUT

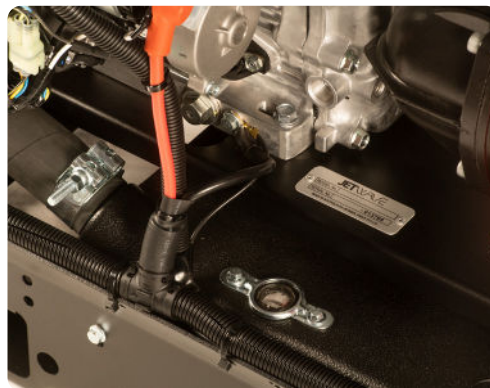


HERO INNOVATIONS

- JWPP™**
Jetwave Italian Premium Pump
- AVPS™**
Anti Vibration Protection System
- PMC™**
Panel/Bulk Head Mounted HP/LP Points
- EFI™**
Electronic Fuel Injection Technology
- TURN KEY SOLUTION**
Quality assured and ready to go

APPLICATIONS

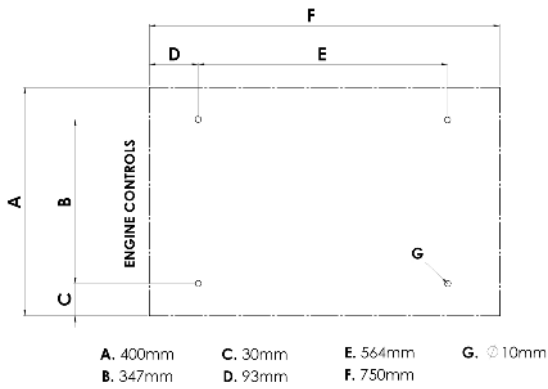
- High Pressure Cleaning
- Drain Cleaning/Water Jetting
- Truck, Ute & Trailer Mounting
- External Water Tank & Bypass Ready



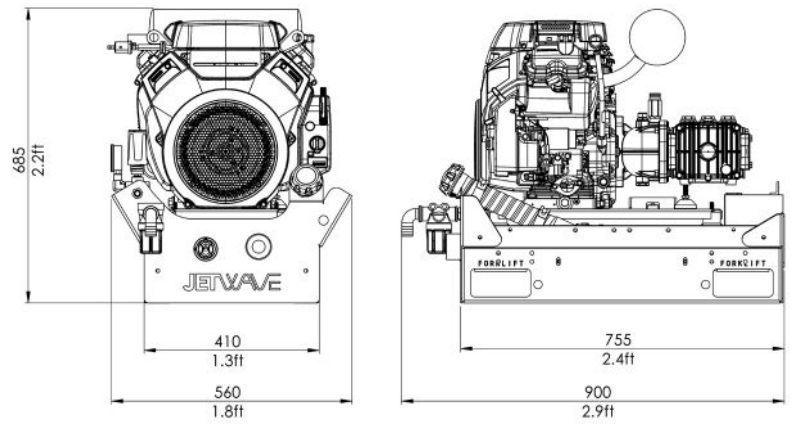
STANDOUT FEATURES

- JW® UDOR® Premium Italian plunger pump** running at 1450RPM, delivers more performance and longer life.
- Electric start Industrial V-Twin Honda™ GX690 engine** with digital engine hour meter. Or **iGX700 engine** with **electronic fuel injection & auto choke**.
- Jetwave Safety System™ (JSS)** safety valve to prevent over pressurisation.
- Seamless 25L on-board fuel tank** under chassis mount, with level gauge.
- Battery isolator** to prevent battery voltage loss, when not in use.
- Integrated forklift pockets & mounting points**.

MOUNTING FOOTPRINT



DIMENSIONS (MM)



TECHNICAL DATA

PMG™ G2 280-21

Product Code	PM4000-21PEG2
Pressure / Flow Rate	4060 PSI (280 BAR) / 21 L/PM (1,260 L/PH) / 5.5 GPM
Max Water Inlet Temp	60°C / 140°F
Class (AS/NZS: 4223)	B (5,880 Bar/Litres)
Usage Frequency	Professional: Daily Usage
Nozzle Size	05
Frame Structure	CNC Modular galvanised steel chassis plus satin powder coat finish

MOTOR FEATURES

Engine / Power	Honda™ GX690 Electric Start (air cooled) 23 HP / 690 CC
Fuel Type / Capacity / Protection	Unleaded / 25L (w/level gauge) / Low Oil Shutdown

HYDRAULIC FEATURES

Pump / Head / Pistons	JW® UDOR® Premium Triplex Plunger / Brass (Nickle Plated) / Ceramic
Motor Pump Coupling / Pump RPM	Gearbox Drive / 1450RPM
Unloader Valve	Independent (Panel Mounted)
Safety Valve	Yes

DIMENSIONS & WEIGHT

Machine Dimensions / Weight	Skid with Filter: 900mm(L) x 560mm(W) x 685mm(H) / 130KG (approx.)
-----------------------------	--

WARRANTY(S)

Pump Warranty*	 2 Years
Engine Warranty*	 3 Years

OPTIONAL ACCESSORIES

OPTIONAL UPGRADES

21" Hammerhead - Plastic	JWA-FSC21.05	iGX700 EFI Engine Upgrade w/auto speed	ADD:FI
21" Hammerhead - Stainless Steel	JWA-FSC22-5.05	Low Level Water Cut Out	JWA220
Professional Nozzle Kit	JWA308.05		
Remote Mini Reel w/60m 1/4" Hose	PW134-RRCMPL/HOP4		

Copyright © 2023 Jetwave® Group Pty Ltd. All Rights Reserved.

The manufacturer reserves the right to modify design features and technical facts without notice, due to our principals of continuous improvement.

*Coverage against defects in material and workmanship (refer to Jetwave's and component partners T&Cs).

V3.0 08/23