

- ✓ Live rotation under maximum pressure
- ✓ Single bearing system
- ✓ Stainless steel internal parts
- ✓ Corrosion resistant
- ✓ Reinforced inner shaft
- ✓ Maintenance free

### Application

HP-Guns, hose connections, hydraulics, tangle-free applications

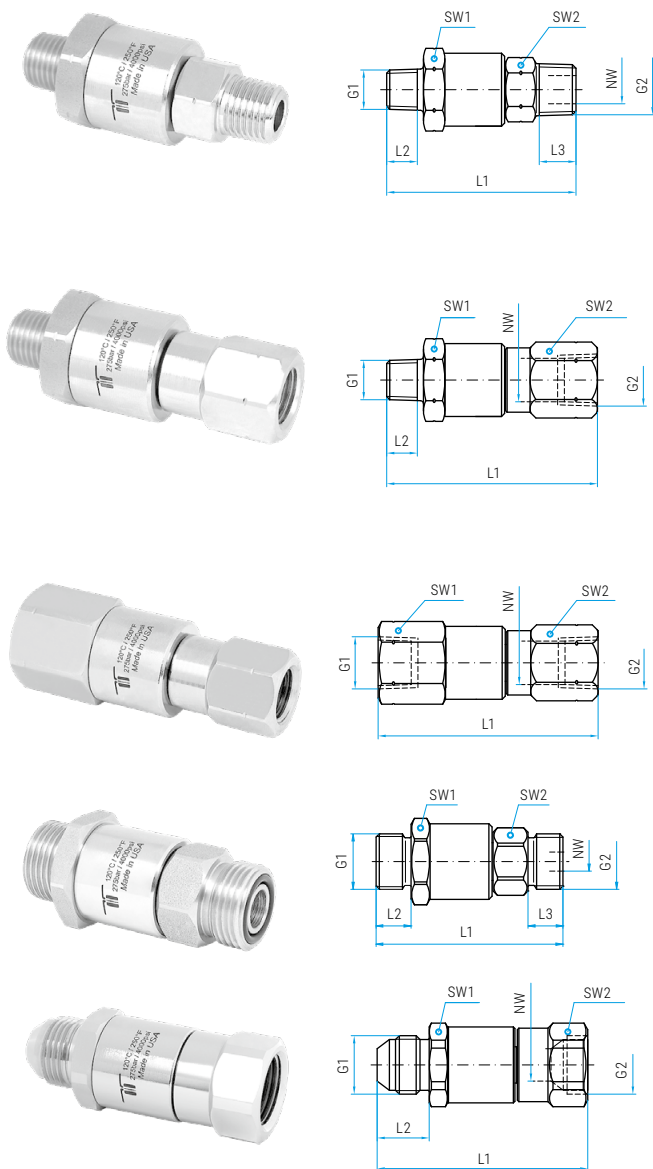
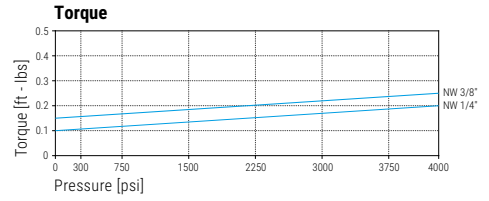
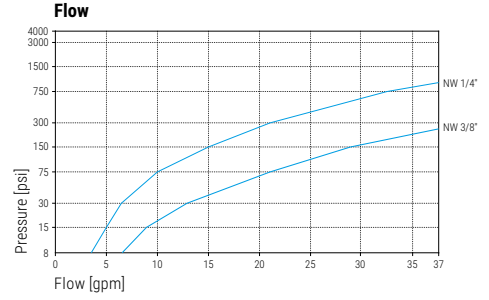
#### TECHNICAL DATA

**Pressure** 4000 psi (27.5 MPa)  
**Temperature** 250°F  
**RPM** max. 30 rpm

**Body** stainless steel  
brass, nickel plated

**Inner part** stainless steel  
**Seal** O-ring NBR  
(optional: EPDM or FKM)  
**Bearing** 1x thrust ball bearing

**Throughput medium** pH 3 - 12  
filtered 10 microns  
compressed air (290 psi)



#### DGV

Part No.	G1 (M)	G2 (M)	NW	SW1	SW2	L1	L2	L3	Weight
32.551	1/4" NPTM	1/4" NPTM	1/4"	0.94	0.67	2.40	0.39	0.43	4.2 oz
32.553	1/4" NPTM	3/8" NPTM	1/4"	0.94	0.75	2.44	0.39	0.47	4.9 oz
32.561	3/8" NPTM	1/4" NPTM	1/4"	0.94	0.67	2.44	0.43	0.43	4.9 oz
32.563	3/8" NPTM	3/8" NPTM	1/4"	0.94	0.75	2.48	0.43	0.47	5.4 oz
32.861	1/2" NPTM	3/8" NPTM	3/8"	1.06	0.75	2.76	0.59	0.47	7.5 oz
32.863	1/2" NPTM	1/2" NPTM	3/8"	1.06	1.06	2.91	0.59	0.59	8.2 oz

Part No.	G1 (M)	G2 (F)	NW	SW1	SW2	L1	L2	Weight
32.552	1/4" NPTM	1/4" NPTF	1/4"	0.94	0.75	2.60	0.39	5.2 oz
32.554	1/4" NPTM	3/8" NPTF	1/4"	0.94	0.87	2.71	0.39	5.6 oz
32.562	3/8" NPTM	1/4" NPTF	1/4"	0.94	0.75	2.63	0.43	5.7 oz
32.564	3/8" NPTM	3/8" NPTF	1/4"	0.94	0.87	2.75	0.43	6.4 oz
32.854	3/8" NPTM	1/2" NPTF	3/8"	1.06	1.06	2.87	0.43	7.1 oz
32.864	1/2" NPTM	1/2" NPTF	3/8"	1.06	1.06	3.03	0.59	8.7 oz
32.924	3/8" NPTM	1/2" NPTF	1/4"	0.94	1.06	2.91	0.43	7.5 oz

Part No.	G1 (F)	G2 (F)	NW	SW1	SW2	L1	Weight
32.557	1/4" NPTF	1/4" NPTF	1/4"	0.94	0.75	2.72	6.5 oz
32.559	1/4" NPTF	3/8" NPTF	1/4"	0.94	0.87	2.83	6.6 oz
32.567	3/8" NPTF	1/4" NPTF	1/4"	0.94	0.75	2.76	6.6 oz
32.569	3/8" NPTF	3/8" NPTF	1/4"	0.94	0.87	2.87	7.1 oz

#### DGV Face seal

Part No.	G1 (M)	G2 (M)	NW	SW1	SW2	L1	L2	L3	Weight
32.571	11/16"-16UN	11/16"-16UN	1/4"	0.94	0.87	2.32	0.43	0.43	4.9 oz
32.871	13/16"-16UN	13/16"-16UN	3/8"	1.06	0.94	2.44	0.43	0.43	6.6 oz

#### DGV Hydraulic

Part No.	G1 (M)	G2 (F)	NW	SW1	SW2	L1	L2	Weight
32.926	3/4" JIC M	3/4" JIC F	3/8"	1.00	1.00	2.71	0.67	6.0 oz

#### Legend

M.. = metric thrust, ..M = male, F = female, G = gas pipe thrust, R = gas pipe thrust conical, QV = quick connects  
 SV = profile ring fitting, D = diameter, L = length, NW = nominal width, SW = wrench size

#### Additional Seal Options available

EPDM (E) or FKM/Viton (V). Please indicate letter of seal material after part number. Minimum orders apply.