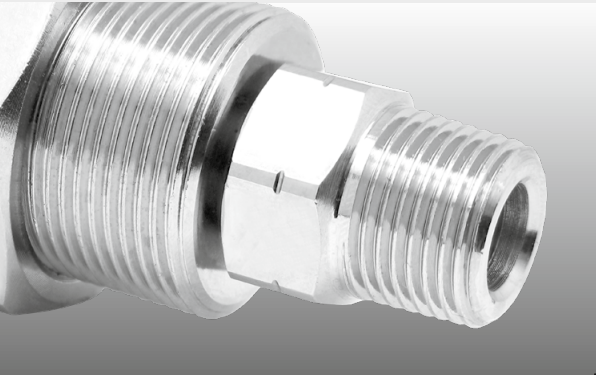


- ✓ Bulkhead fitting for mounting
- ✓ Corrosion resistant
- ✓ Highest quality and precision
- ✓ Maintenance free
- ✓ Carbide seals



### Application

Surface cleaners, parts washers, tire cleaners, high pressure, self rotating applications

#### TECHNICAL DATA

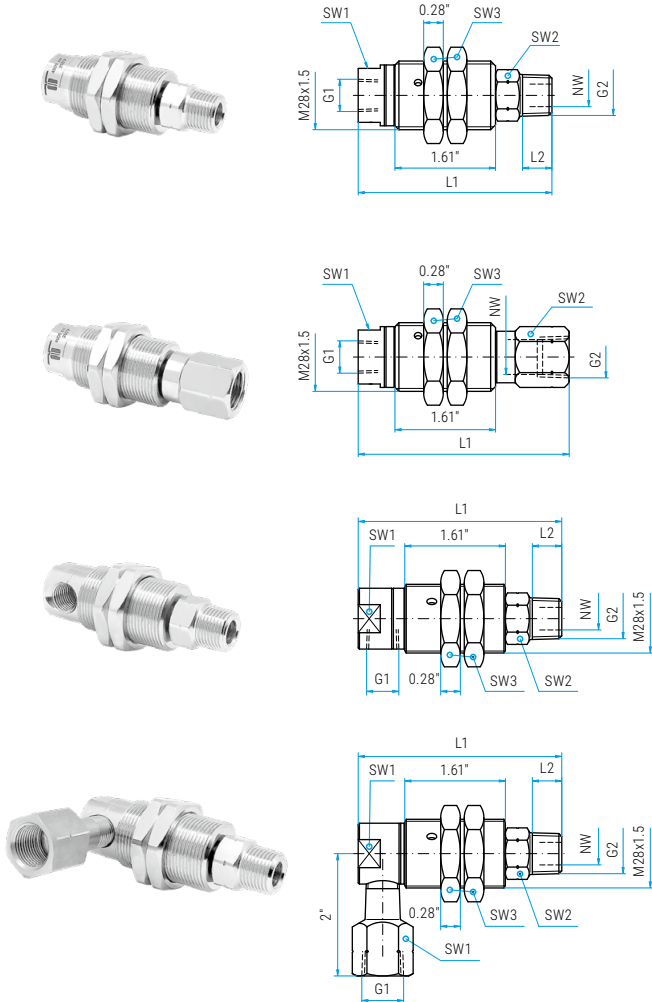
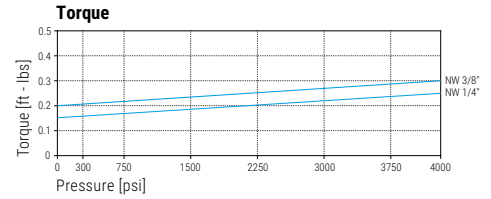
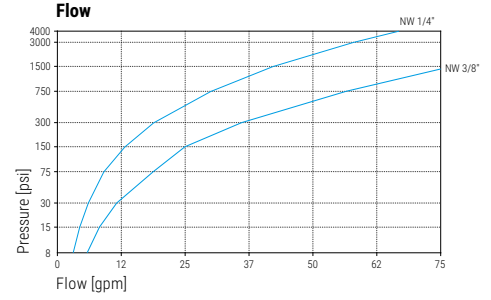
**Pressure** 4000 psi (27.5 MPa)  
**Temperature** 250°F  
**RPM** max. 2'000 rpm

**Body** DYG: brass, nickel plated  
 DYG: stainless steel

**Inner part** stainless steel  
**Seal** carbide

**Bearing** 2x radial ball bearings  
 1x thrust ball bearing

**Throughput medium** pH 3 - 12  
 filtered 10 microns  
 compressed air (290 psi)



#### DYG DYGI

Part No.	Part No.	G1 (F)	G2 (M)	NW	SW1	SW2	SW3	L1	L2	Weight
57.051	57.056	1/4" NPTF	1/4" NPTM	1/4"	0.87	0.67	1.34*	3.10	0.43	8.5 oz
57.053	57.058	1/4" NPTF	3/8" NPTM	1/4"	0.87	0.75	1.34*	3.14	0.47	7.4 oz
57.063	57.068	1/4" NPTF	G3/8" M	1/4"	0.87	0.75	1.34*	3.14	0.39	10.6 oz
57.151	57.156	3/8" NPTF	1/4" NPTM	1/4"	0.87	0.67	1.34*	3.10	0.43	7.4 oz
57.153	57.158	3/8" NPTF	3/8" NPTM	1/4"	0.87	0.75	1.34*	3.14	0.47	8.5 oz
57.163	57.168	3/8" NPTF	G3/8" M	1/4"	0.87	0.75	1.34*	3.14	0.39	10.2 oz
57.653	57.658	3/8" NPTF	3/8" NPTM	3/8"	0.87	0.75	1.34*	3.13	0.47	7.6 oz

Part No.	Part No.	G1 (F)	G2 (F)	NW	SW1	SW2	SW3	L1	Weight
57.052	57.057	1/4" NPTF	1/4" NPTF	1/4"	0.87	0.75	1.34*	3.30	8.2 oz
57.054	57.059	1/4" NPTF	3/8" NPTF	1/4"	0.87	0.87	1.34*	3.42	8.6 oz
57.152	57.157	3/8" NPTF	1/4" NPTF	1/4"	0.87	0.75	1.34*	3.30	7.8 oz
57.154	57.159	3/8" NPTF	3/8" NPTF	1/4"	0.87	0.87	1.34*	3.42	8.2 oz
57.654	57.659	3/8" NPTF	3/8" NPTF	3/8"	0.87	0.87	1.34*	3.42	7.4 oz

\* at DYGI: 1.42"

#### DYG 90° DYGI 90°

Part No.	Part No.	G1 (F)	G2 (M)	NW	SW1	SW2	SW3	L1	L2	Weight
57.351	57.356	1/4" NPTF	1/4" NPTM	1/4"	0.87	0.67	1.34*	3.26	0.43	10.7 oz
57.353	57.358	1/4" NPTF	3/8" NPTM	1/4"	0.87	0.75	1.34*	3.30	0.47	11.0 oz

\* at DYGI: 1.42"

Part No.	G1 (F)	G2 (M)	NW	SW1	SW2	SW3	L1	L2	Weight
57.453	3/8" NPTF	3/8" NPTM	1/4"	0.87	0.75	1.34	3.30	0.47	10.7 oz
57.463	3/8" NPTF	G3/8" M	1/4"	0.87	0.75	1.34	3.30	0.39	14.0 oz

36.905	Seal kit for NW 1/4"
36.906	Seal kit for NW 1/4" + adhesive
36.908	Seal kit for NW 3/8"

Legend

M.. = metric thrust, ..M = male, F = female, G = gas pipe thrust, R = gas pipe thrust conical, QV = quick connects  
 SV = profile ring fitting, D = diameter, L = length, NW = nominal width, SW = wrench size