


P.A. – S.p.A. – EQUIPAGGIAMENTI TECNICI DEL LAVAGGIO

VIA MILANO, 13 – CASELLA POSTALE 115 – 42048 RUBIERA (REGGIO EMILIA) – ITALY
 Tel. +39 0522 623611 – Fax. +39 0522 629600 – R.E.A. RE 156319 – R.I. RE11535 – Mecc. RE 013446
 C.F. e P. IVA 01035950359 – Cap. Soc. i.v. € 750.000,00 – Codice Identificativo C.E.E. IT 01035950359
 ART. 2497 – BIS C.C. DIREZIONE E COORDINAMENTO BENETTI srl R.I. TRIB. DI RE 01480690351
 Web: <http://www.pa-etl.it> – E-mail: info@pa-etl.it



RLW 40 – Weeping spray gun 190 bar – 19 MPa

 Technical manual : **E 113**

Guns suitable for use up to 190 bar – 19 MPa rated pressure pumps.
 Low pressure weeping gun; High pressure function by trigger operation.

DN10


- **30.3000.50** RLW 40 L=400 3/8NPT 1/8NPT FF
- **30.3100.50** RLW 40 L=1000 3/8NPT 1/8NPT FF

- Covered by shockproof plastic semi-housings.
- High/low pressure gun with double concentric outlet.
- Delrin shutter.
- Internal structure in brass and Sst.
- Ergonomic construction.
- Minimum fatigue for trigger opening.

TECHNICAL SPECIFICATIONS

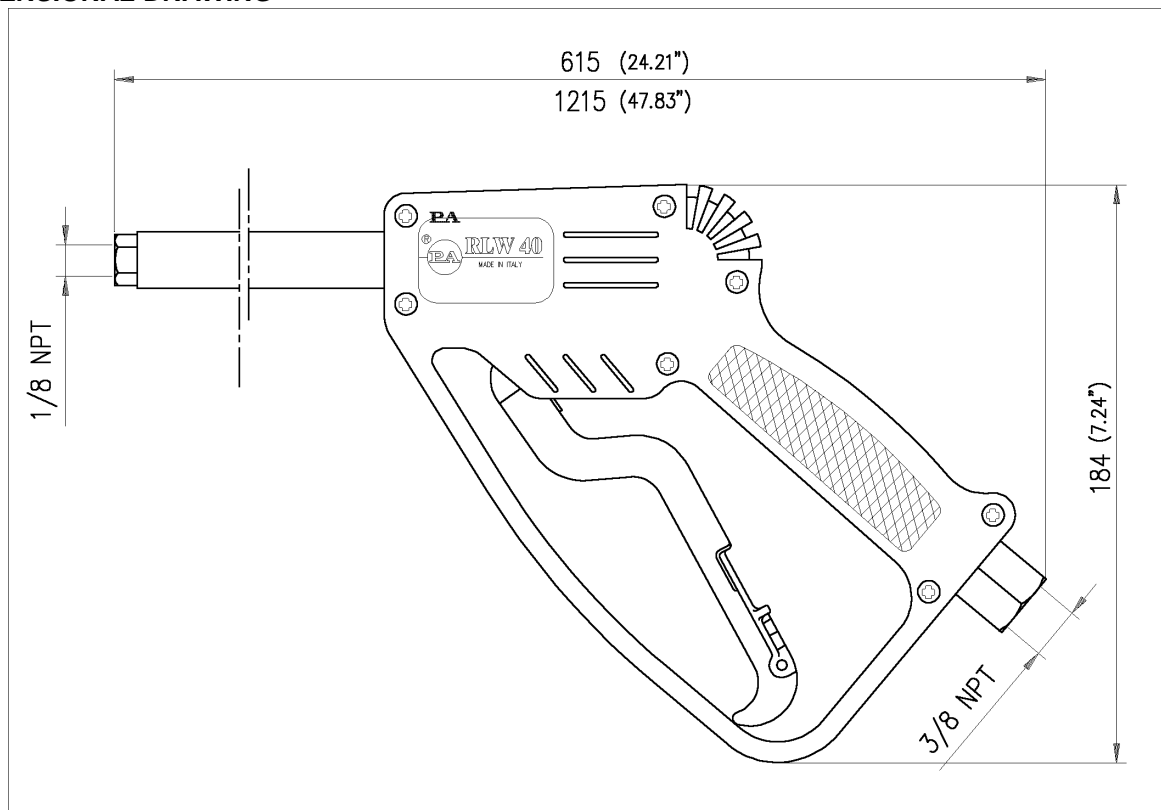
P/N	RATED PRESSURE bar - MPa	PERMISSIBLE PRESSURE bar - MPa	MAX FLOW RATE l/min	(1) MAXIMUM TEMPERATURE °C	INLET-OUTLET	WEIGHT g
30.3000.50	190 - 19	210 - 21	40	60	3/8NPT 1/8NPT FF	1280
30.3100.50	190 - 19	210 - 21	40	60	3/8NPT 1/8NPT FF	1690

(1) The gun has been designed for a continuous use at a water temperature of 60°C (140°F)

Instruction manual, maintenance, installation, spare parts.
 For a correct utilization, follow the directions of this manual
Re-print them on the Use and Maintenance booklet of the machine.

n. 12.9113.00

DIMENSIONAL DRAWING



INSTRUCTIONS

This product is to be utilized with clean fresh water, even slightly additivated with normal detergents. For use involving different or corrosive liquids, contact the PA Technical department. Appropriate filtration should be installed when using unclean liquids. Choose the gun in line with the data of nominal running (system rated pressure, max flow and max temperature). In any case, the pressure of the machine should not exceed the permissible pressure rate imprinted on the gun.

INSTALLATION

This gun was designed to operate with **hot water** (in compliance with the technical specs). Provide the plant generating **hot water** with an equipment limiting the incidental increase of the fluid temperature.

Always fit a safety valve to protect the delivery conduct when the latter is under pressure.

Choose a suitable nozzle and adjust the valve mounted in the front of the gun, thus obtaining a constant supply and avoiding unpleasant pressure spike when closing the system.

If the nozzle wears out, the pressure falls. When you install a new nozzle, adjust the system back to the original pressure.

OPERATIONS

The gun opens a low pressure passage and when pulling the trigger moves a shutter that closes the water passage of the external tube in which the water passes through the internal tube at high pressure by means of an added nozzle (1/8Npt)

WATER HOSE FEED

By high or very unsteady pressure values on delivery, it is necessary to mount a pressure reducer, both to level the flow rate on delivery and to protect the system components.

PROBLEMS AND SOLUTIONS

PROBLEMS	PROBABLE CAUSES	SOLUTIONS
Leakage from the nozzle	Worn out seals	Replace

REGULATIONS

The design and construction of our products comply with: norm CEI EN 60335-2-79 first edition, published in 1999-03 and its respective variations on the project norm prEN 1829.

Read this manual before starting the assembly.

For a correct utilization, follow the directions described in this manual and re-print them on the Use and maintenance manual of the machine.

The present manual is valid for all the guns named **RLW 40**

SPARES

Use original PA spares only in order to get both a correct operation and a long lasting, reliable product.

MAINTENANCE

Maintenance has to be carried out by **Specialized Technicians.**

STANDARD: every 400 working hours (circa 10,000 cycles), check and lubricate the seals with water resistant grease.

SPECIAL: every 800 working hours(circa 20,000 cycles), check the wear of the seals and internal parts and if necessary, replace with original PA parts, taking care during installation to lubricate with water resistant grease.

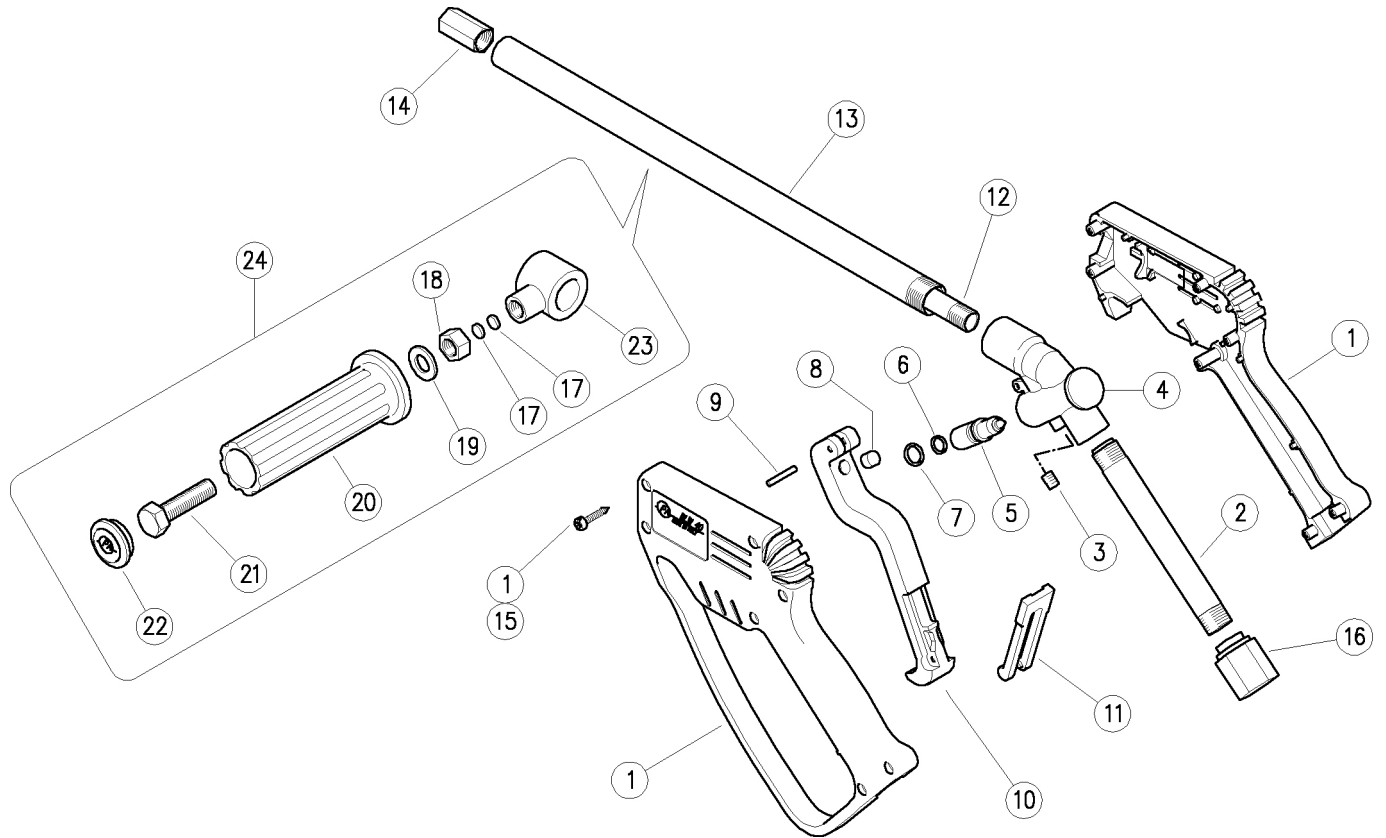
CAUTION: re-assemble the gun restoring the original conditions.

The manufacturer is not to be considered responsible for damage as a result from incorrect fitting and maintenance.

Technical data, descriptions and illustrations are indicative and liable to modification without notice

30.3000.50 RLW40 dump gun,coax 3/8F-1/8F Npt 400mm
30.3035.24 Knob-kit -RLW40

30.3100.50 RLW40 dump gun,coax.3/8F-1/8F Npt



Pos.	P/N	Description	Q.ty	K1	K2	K3	K4	
1	30.3027.24	Casing-kit -RLW40 +screws, Sst.	1					1
2	30.3032.66R	Tube, 1/4Bsp MM 125 mm z.pl.	1					1
3	16.2200.00R	Set screw, DIN913 M6x6 mm	1					10
4	30.3001.35R	Housing -RLW40, brass	1					1
5	30.3008.23R	Piston, complete RLW40	1	•				5
6	10.3057.00R	O-ring, 1,78x9,25 mm	1	•				10
7	10.3055.00R	O-ring, 1,78x7,66 mm	1	•				10
8	30.0673.51R	Stop pin, 8x6,4 mm Sst.	1					10
9	15.1036.00R	Parallel pin, 3x20 mm Sst.	1					10
10	30.3217.84R	Trigger -RLW40, plast., black	1					5
11	30.1054.84R	Safety latch, plast. black	1					10
12	30.3005.56R	Tube, M12x1 MM 460mm Sst.	1					5

Pos.	P/N	Description	Q.ty	K1	K2	K3	K4	
12	30.3010.56R	Tube, M12x1 MM 1050 mm Sst. (1)	1					1
13	30.3006.56R	Tube, M18x1 MM 445mm Sst.	1					5
13	30.3011.56R	Tube, M18x1 MM 1035 mm Sst. (1)	1					1
14	30.3009.51R	Coupling, M12x1F-1/8F Npt Sst.	1					5
15	16.3075.51R	S/tapping scr. 3,5x18 mm sst.	7					10
16	30.3212.61R	Coupl., 1/4F Bsp-3/8F Npt z.pl.	1					10
17	13.5305.00R	Plate, 8x1,5 mm Cu	2					10
18	11.4627.00R	Hex. nut, M10	1					10
19	14.3799.00R	Washer, 10x21x2 mm	1					10
20	41.0409.84R	Knob, 32x115 mm PP black	1					10
21	16.2035.00R	Screw, DIN933 M10x35 mm z.pl.	1					10
22	41.0411.84R	Plug, Knob PP black	1					10

Kit	P/N	Description	Q.ty
K1	30.3012.24	Spares kit -RLW40, 3x1pcs.	1

(1) 30.3100.50