

July 2017 Sales Flier

HONDA

ENGINES



Does Not Include Muffler

Part #	Description	Sale Price
3240	GX390 Honda w/ Recoil Start	\$586.95
3241	GX630 Honda, 20 HP, 20AMP Electric Start w/ Key Switch	\$1134.17
3242	GX690 Honda, 20 AMP Electric Start w/ Key Switch	\$1303.94

★ Shipping Not Included ★

Visit us on the web at www.powerwashstore.com
Or Call the office at 414-351-9274



July 2017 Sales Flier

Part #	Description	Sale
BV55	Blue Voodoo 55 Gal Concentrate Kit	\$89.95
BV10	Blue Voodoo 10 Gal Concentrate Kit	\$28.95
CK30	Crete Kleen 30 Gal Concentrate Kit	\$89.95
CK5	Crete Kleen 5 Gal Concentrate Kit	\$28.95
HM30	Hood Master 30 Gal Concentrate Kit	\$89.95
HM5	Hood Master 5 Gal Concentrate Kit	\$28.95
SF55	Strike Force 55 Gal Concentrate Kit	\$89.95
SF10	Strike Force 10 Gal Concentrate Kit	\$28.95



Blue Voodoo: (House/Building Cleaning) We have created a product that puts a spell on the dirt and mildew releasing it from the house like magic. Blue Voodoo can be used with or without bleach. It is designed to help lift and release the pollutants and mildew from the substrate and suspend them in the solution for easy rinsing from surfaces.

Crete Kleen: (Concrete Cleaner) Formulated specifically of unfinished concrete surfaces. This custom blended non-caustic formula is designed to be more user friendly than the acids or caustics that are typically used in concrete cleaning.

Hood Master: (Hood Cleaners) With extensive testing and careful chemistry we have created the industry's strongest non-caustic blend hood cleaner. With excellent foaming, wetting and clinging characteristics Hood Master is a degreaser that is tough to beat on any level.

Strike Force: (Fleet/Equipment Cleaning) Offering the finest in caustic free high gloss cleaning detergents. It contains detergents that are among the most effective alkaline substances for the emulsification of oils and greases, in addition, Strike Force has corrosion inhibitors that prevent pitting and corrosion on stainless steel, aluminum and other soft metals.

★ Shipping Included ★

Visit us on the web at www.powerwashstore.com

Or Call the office at 414-351-9274



July 2017 Sales Flier

TITAN



Part #	Description	Sale
T3012S	Titan Powder Coated Full Frame Reel 12"	\$275.00
T3018S	Titan Powder Coated Full Frame Reel 18"	\$305.00

Holes for mounting and stacking the reel are computer punched, not drilled. This assures repeatability of assembly of the reel to a frame and precision operation.

Holes for stacking kit and hose guide are included in every reel and match the dimensions of TITAN aluminum and stainless steel reels.

Urethane drag controls spool speed by tightening wing nuts. There is no wireform to wear down and rust the manifold.

Plated manifold resists rusting.

Steel supported resin bearing holder handles load and resists corrosion.

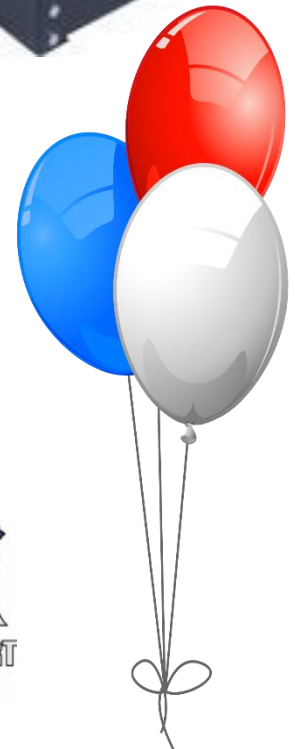
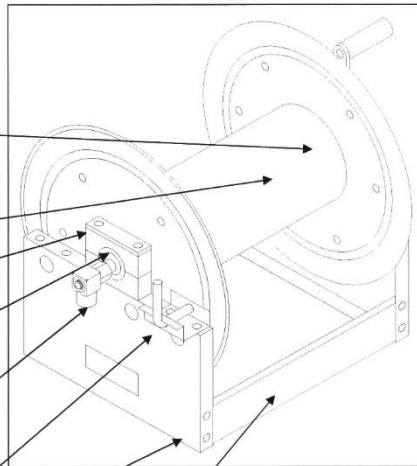
Sealed bearing assures many years of easy operation; Reduces stress on frame. Spherical bearing outside diameter means self-alignment and ease of turning.

Electroless nickel plated steel swivel for corrosion resistance

Heavy duty pin-lock with non-shear pin. Pin is spring loaded so it will not free the spool to rotate under vibration.

Full frame has a more solid look than angle frame.

Frame is made from cold rolled steel sheet instead of hot rolled angle. Hot rolled is rough and includes pits so it is difficult to get a proper coating. Cold rolled steel sheet is smooth and non porous so the powder coating will better resist rusting.



Visit us on the web at www.powerwashstore.com
 Or Call the office at 414-351-9274



July 2017 Sales Flier

Dragon Tail Hose



Part #	Description	Sale Price
1298	50' Black Non-marking 4700 PSI 2 Wire	\$90.00
1299	100' Black Non-marking 4700 PSI 2 Wire	\$165.00

Our High-Abrasion-Resistant, **Non Marking** Black Hose. Rubber construction throughout, with single or double layer of steel wire braid, the hose choice for heavy-duty cleaning applications. The polyethylene coating provides durability and non-marking properties, this has proven to outlast normal type rubber hoses as much as 5 times or more!

Features:

- Assembled in **USA** with high quality components
- This is the ultimate hose for Plant/Food processing or other heavy-duty use areas
- **This hose will not leave marks or scuffs when dragged across surfaces**
- Rubber construction throughout
- Reinforcement: High tensile braided steel
- Burst (Minimum): 4:1 working pressure
- Black Hose: 3lbs lighter than standard 2 wire hose.



Visit us on the web at www.powerwashstore.com
Or Call the office at 414-351-9274



July 2017 Sales Flier

New at the Power Wash Store

Part #	Description	Sale
ST-160/3.0	ST-160 Chemical Injector #3.0	\$80.00
ST-160/3.5	ST-160 Chemical Injector #3.5	\$80.00
ST-160/4.5	ST-160 Chemical Injector #4.5	\$80.00
ST-160/5.0	ST-160 Chemical Injector #5.0	\$80.00
ST-160/5.5	ST-160 Chemical Injector #5.5	\$80.00
ST-160/6.0	ST-160 Chemical Injector #6.0	\$80.00
ST-160/7.0	ST-160 Chemical Injector #7.0	\$80.00
ST-160/7.5	ST-160 Chemical Injector #7.5	\$80.00
ST-160/8.0	ST-160 Chemical Injector #8.0	\$80.00
ST-160/9.0	ST-160 Chemical Injector #9.0	\$80.00
ST-160/9.5	ST-160 Chemical Injector #9.5	\$80.00
ST-160/10.0	ST-160 Chemical Injector #10.0	\$80.00
ST-160/11.0	ST-160 Chemical Injector #11.0	\$80.00
ST-160/12.0	ST-160 Chemical Injector #12.0	\$80.00



- Durable Stainless-Steel housing
- Min/Max Flow Rate: 1/21 GPM
- Min. PSI: 1000
- Single chemical
- 9 metering/dosing nozzles included
- Food grade quality and specification

To be used with the ST-76 Foam Blaster for optimal performance

NEW Products Continues to the Next Page

Visit us on the web at www.powerwashstore.com
Or Call the office at 414-351-9274



July 2017 Sales Flier



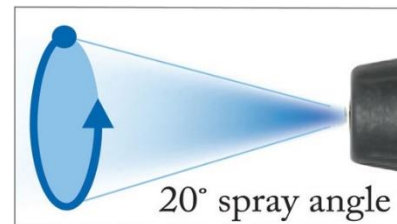
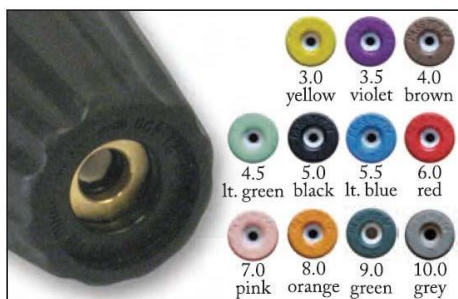
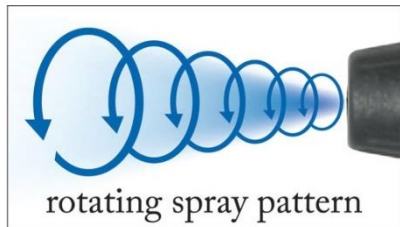
- 3625 PSI
- 1/4" FPT Inlet
- 190 Degrees



- 6000 PSI
- 1/4" FPT Inlet
- 212 Degrees

Part #	Description	Sale
S-200357530	ST-357 Turbo Nozzle #3.0	\$50.00
S-200357535	ST-357 Turbo Nozzle #3.5	\$50.00
S-200357540	ST-357 Turbo Nozzle #4.0	\$50.00
S-200357545	ST-357 Turbo Nozzle #4.5	\$50.00
S-200357550	ST-357 Turbo Nozzle #5.0	\$50.00
S-200357555	ST-357 Turbo Nozzle #5.5	\$50.00
S-200357560	ST-357 Turbo Nozzle #6.0	\$50.00
S-200357570	ST-357 Turbo Nozzle #7.0	\$50.00
S-200357580	ST-357 Turbo Nozzle #8.0	\$50.00
S-200357590	ST-357 Turbo Nozzle #9.0	\$50.00
S-200357510	ST-357 Turbo Nozzle #10.0	\$50.00

Part #	Description	Sale
S-200457530	ST-457 Turbo Nozzle #3.0	\$90.00
S-200457535	ST-457 Turbo Nozzle #3.5	\$90.00
S-200457540	ST-457 Turbo Nozzle #4.0	\$90.00
S-200457545	ST-457 Turbo Nozzle #4.5	\$90.00
S-200457550	ST-457 Turbo Nozzle #5.0	\$90.00
S-200457555	ST-457 Turbo Nozzle #5.5	\$90.00
S-200457560	ST-457 Turbo Nozzle #6.0	\$90.00
S-200457570	ST-457 Turbo Nozzle #7.0	\$90.00
S-200457580	ST-457 Turbo Nozzle #8.0	\$90.00
S-200457590	ST-457 Turbo Nozzle #9.0	\$90.00
S-200457510	ST-457 Turbo Nozzle #10.0	\$90.00



Visit us on the web at www.powerwashstore.com

Or Call the office at 414-351-9274



July 2017 Sales Flier



DIG FASTER. SAVE WATER

The Ripsaw Rotating nozzle is specifically designed and engineered for the rugged Hydro-Excavation industry. It's cone shaped flow pattern is ideal for potholing applications.

Performance – Complete jobs faster with less runtime and less downtime. The RIPSAW blasts 0° straight water stream at up to 3200 PSI while rotating at a high speed to provide an 18° cone of coverage.

Durability – The heavy duty, high impact nozzles are constructed with a stainless-steel housing and tungsten carbide wear surface to withstand harsh environments and provide longer life than ceramic nozzles.

Safety – Non-conductive urethane coating on the nozzle body protects the operator and sensitive underground utilities.

Efficiency – Greater impingement allows you to use a smaller nozzle size while getting the same impact as nozzles with higher GPM flow rates.

Part #	Description	Sale
HF-1001857-030	Ripsaw Rotating Nozzle #3.0	\$200.00
HF-1001857-040	Ripsaw Rotating Nozzle #4.0	\$200.00
HF-1001857-050	Ripsaw Rotating Nozzle #5.0	\$200.00
HF-1001857-060	Ripsaw Rotating Nozzle #6.0	\$200.00
HF-1001857-080	Ripsaw Rotating Nozzle #8.0	\$200.00
HF-1001857-100	Ripsaw Rotating Nozzle #10	\$200.00
HF-1001857-120	Ripsaw Rotating Nozzle #12	\$200.00

★ Happy Fourth of July ★

Visit us on the web at www.powerwashstore.com

Or Call the office at 414-351-9274