

# Electronic Oil Igniters

120V Applications

*Beckett*  
PARTS & ACCESSORIES

## Product Sheet

### Features & Benefits

- UL recognized in the US and Canada.
- 20 kV peak rating guarantees quick and efficient ignition.
- Small size and lightweight
- A vacuum encapsulation process using a synthetic resin provides resistance to moisture and excellent heat dissipation and electrical insulation.
- Case material is a high-temperature thermoplastic that provides high impact strength and scratch resistance, and is impenetrable to most chemicals.
- Adapts to multiple baseplates – making it the most versatile unit on the market. It will also fit on many other vendors' transformer baseplates.
- Case design has “breakout” sections at the rear and side for lead wire exit and a hood to neatly cover and protect these wires where required.



Photo for reference only. Design of igniter base plates will depend on applicaiton.

### Technical Specifications

**Input:** 120 VAC, 50-60 Hz, 35 VA

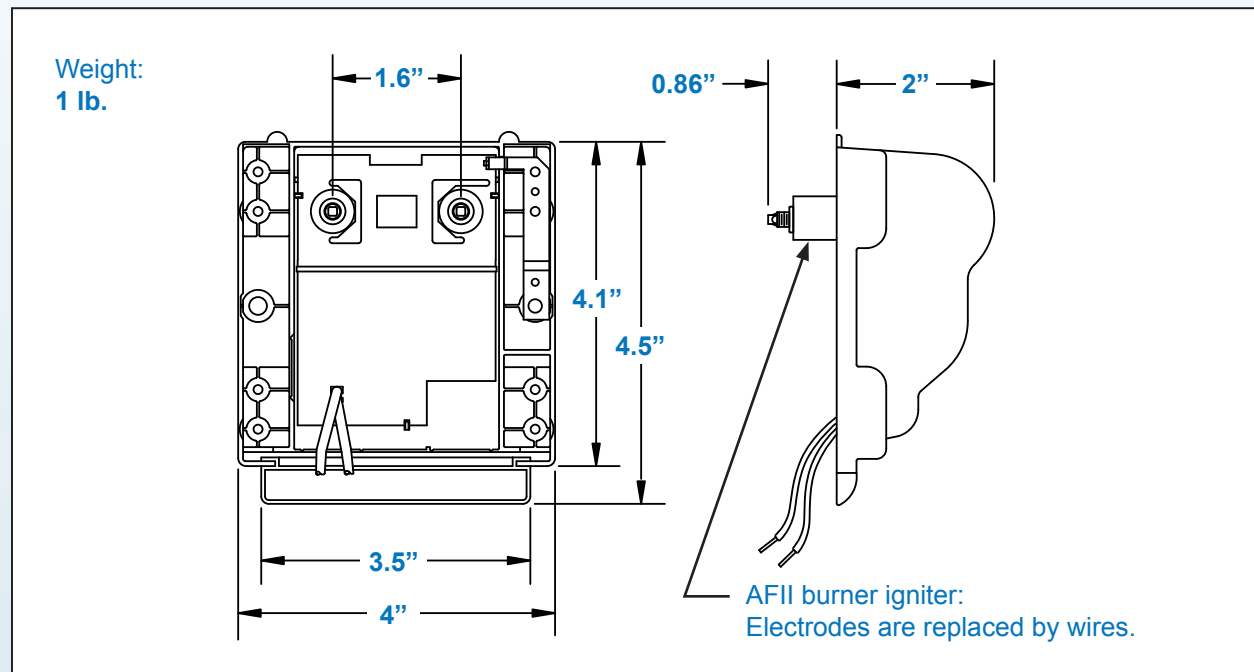
**Output Voltage:** 6 kV RMS, 20 kV PEAK

**Output Current:** 35 mA RMS

**Secondary Mid-point Ground**

**Ambient Operating Temperature:** -40°F to +150°F

**Storage Temperature:** -40°F to +150°F



# Electronic Oil Igniters

120V Applications

*Beckett*  
PARTS & ACCESSORIES

## Product Sheet

### Igniter Kits

Kit Part No.	Application
51838U	Igniter Only (For all A & S Models)
51771U	Beckett A, AF, AFG, NX
51805U	Beckett AFII
51824U	Beckett S, SF, SMG, SR, SM, CF500, CF800
51826U	Carlin 100
51840U	Carlin 200
51825U	Wayne M
51827U	Wayne E
51836U	Wayne HS (No base plate)

Photo for reference only. Design of igniter base plates will depend on application.



### Igniter Base Plate Kits

Includes one base plate, hardware and instructions

Kit Part No.	Application
51834U	Aero
51830U	Beckett A Housing
51831U	Beckett S Housing
51832U	Carlin 100
51841U	Carlin 200
51833U	Wayne E
51829U	Wayne M



Photo for reference only. Design of igniter base plates will depend on application.

### 51835 - Electronic Oil Igniter Kit



- **Lightweight:** Entire kit weighs less than one standard transformer
- **Diverse:** Two igniters, assorted mounting plates and terminals allow for easy adaptation to:

**Aero**  
**Beckett** (A, AF, AFG, NX,  
S, SF, SMG, SR, SM,  
CF500, CF800)

**Carlin** (100, 101CRD, 102CRD,  
200, 201, 500CRD)  
**Wayne** (M, E, & HS)  
**Weil McLain**

R.W. **BECKETT** CORPORATION

USA: R.W. Beckett Corporation • ph: (800)645-2876 • fax: (800)800-9802 | Canada: R.W. Beckett Canada Ltd. • ph: (800)665-6972 • fax: (519)763-5656

[www.beckettcorp.com](http://www.beckettcorp.com)