

FEATURES

- Designed and engineered for pressure washers.
- Five year limited warranty.
- Forged brass manifold with an exclusive lifetime warranty.
- Large capacity, die-cast, anodized aluminum oil-bath crankcase.
- Over-sized connecting rods and crankshaft for maximum life.
- Heavy-duty tapered roller bearing.
- Solid ceramic plungers with mirror finish and corrosion resistance.
- Long life seals.
- Stainless steel inlet and discharge valve assemblies.
- Forged valve caps with recessed O-rings to withstand high pressures.
- Dacromet® coated manifold bolts for superior corrosion resistance.

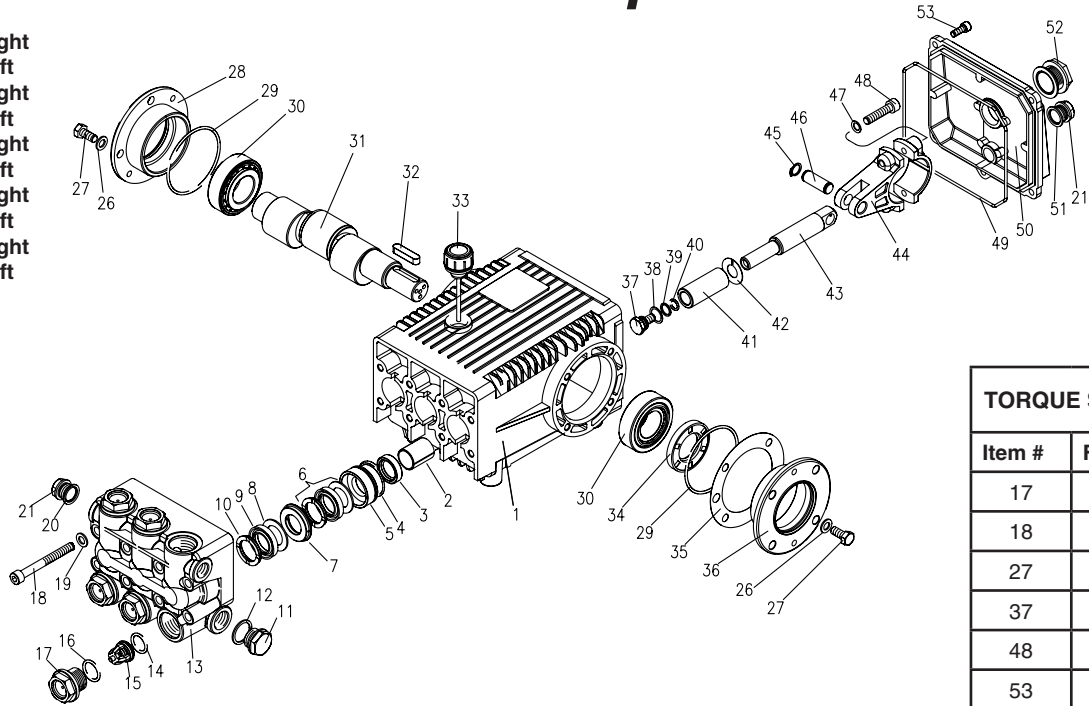


SPECIFICATIONS

PUMP MODEL	GT-4035.1	GT-4040.1	GT-5030.1	GT-6035.1	GT-5635
Maximum Volume (GPM)	4.2	4	5	6	5.6
Max. Discharge Pressure (PSI)	4000	4000	3000	3500	3500
Maximum Pump Speed	1325	1030	1060	1540	1450
Maximum Inlet Pressure	125 psi				
Maximum Inlet Vacuum	9 ft. water (7.9 in. Hg)				
Bore	20	20	22	20	20
Stroke	14	17	17	17	17
Crankcase Oil Capacity	40.6 oz.				
Maximum Fluid Temperature	185° F				
Inlet Port Thread	1/2-14 BSPP-F				
Discharge Port Thread	3/8-19 BSPP-F				
Shaft Diameter	25 mm				24 mm
Weight	33 lbs.				
Dimensions	12.5 x 9.3 x 6.9 in.				

GT.1 Series Pump with U-Seals

- 8.904-949.0 GT4035.1 Right
- 8.916-546.0 GT4035.1 Left
- 8.916-547.0 GT4040.1 Right
- 8.916-548.0 GT4040.1 Left
- 8.916-549.0 GT5030.1 Right
- 8.916-550.0 GT5030.1 Left
- 8.904-956.0 GT6035.1 Right
- 8.916-551.0 GT6035.1 Left
- 8.750-728.0 GT5635 Right
- 8.750-729.0 GT5635 Left



TORQUE SPECS	
Item #	Ft.-Lbs.
17	75
18	45
27	18
37	10
48	30
53	7.6

PARTS LIST

ITEM	PART NO.	DESCRIPTION	QTY	ITEM	PART NO.	DESCRIPTION	QTY	ITEM	PART NO.	DESCRIPTION	QTY
1	9.804-604.0	Crankcase	1	19	9.802-890.0	Washer	8	39*	See Kit Below	O-Ring Ø1.78 x10.82	3
2	9.803-195.0	Plunger Guide	3	20	9.803-198.0	Copper Washer 3/8"	1	40*	See Kit Below	Teflon Ring	3
3*	See Kit Below	Plunger Oil Seal	3	21	9.802-925.0	Brass Plug 3/8"	1	41*	See Kit Below	Plunger	3
4*	See Kit Below	O-Ring Ø1.78 x 31.47	3	26	9.802-884.0	Washer	8	42*	See Kit Below	Copper Spacer	3
5*	See Kit Below	"Pressure Ring, Brass	3	27	9.802-944.0	Hexagonal Screw	8	43	9.803-143.0	Plunger Rod	3
6*	See Kit Below	"U" Seal Low Pressure	3	28	9.803-182.0	Closed Bearing Housing	1	44	9.803-157.0	Connecting Rod	3
7*	See Kit Below	Intermediate Ring, Brass	3	29	9.803-186.0	O-Ring Ø2.62 x 71.12	2	45	9.802-912.0	Snap Ring	6
8*	See Kit Below	Support Ring, Teflon Bronze	3	30	9.803-160.0	Roller Bearing, Tapered	2	46	9.802-915.0	Connecting Rod Pin	3
9*	See Kit Below	"U" Seal High Pressure	3	31	9.803-289.0	Crankshaft (GT4040.1, 5030.1, 6035.1)	1	47	9.802-889.0	Spring Washer	6
10*	See Kit Below	Support Ring	3		9.803-149.0	Crankshaft (GT 4035.1)	1	48	9.802-937.0	Connecting Rod Screw	6
11	9.802-926.0	Brass Plug, 1/2"	1		8.750-766.0	Crankshaft, T-Series 5635	1	49	9.803-194.0	O-Ring Ø2.62 x 152.07	1
12	9.803-199.0	Copper Washer 1/2"	1	32	9.803-167.0	Crankshaft Key	1	50	9.803-166.0	Crankcase Cover	1
13	9.802-933.0	Manifold Head	1	33	9.802-923.0	Oil Dip Stick	1	51	9.803-197.0	Gasket, G3/8	1
14*	See Kit Below	O-Ring Ø2.62 x 17.13	6	34	9.803-139.0	Crankshaft Seal	1	52	9.803-202.0	Sight Glass G3/4	1
15*	See Kit Below	Valve Assembly	6	35	9.803-177.0	Shim	2	53	9.802-939.0	Cover Screw	5
16*	See Kit Below	O-Ring Ø2.62 x 20.29	6	36	9.803-181.0	Bearing Housing	1				
17	9.802-928.0	Valve Plug	6	37*	See Kit Below	Plunger Bolt	3				
18	9.802-943.0	Manifold Stud Bolt	8	38*	See Kit Below	Copper Spacer	3				

* Part available in kit (See below)

REPAIR KITS

REPAIR KIT NUMBER	8.916-488.0	8.916-487.0	8.916-322.0	8.916-323.0	9.802-607.0	9.802-611.0	9.802-603.0	9.802-606.0
KIT DESCRIPTION	Plunger "U" Seal 20mm GT-4040.1 GT-6035.1 GT-4035.1 GT-5635	Plunger "U" Seal 22mm GT-5030.1	"U" Seal Packing Assy 20mm GT-4040.1 GT-6035.1 GT-4035.1 GT-5635	"U" Seal Packing Assy 22mm GT-5030.1	Plunger 20mm GT-4040.1 GT-6035.1 GT-4035.1 GT-5635	Plunger 22mm GT-5030.1	Complete Valve (all pumps)	Plunger Oil Seals (all pumps)
ITEM NUMBERS INCLUDED	4, 6, 8, 9, 10	4, 6, 8, 9, 10	4, 5, 6, 7, 8, 9, 10,	4, 5, 6, 7, 8, 9, 10,	37, 38, 39, 40, 41, 42	37, 38, 39, 40, 41, 42	14, 15, 16	3
NUMBER OF CYLINDERS KIT WILL SERVICE	3	3	1	1	1	1	6	3